

# SAFE ENSUITE BATH FILLING MODULE

## VR01-111

Safe Ensuite bath module; moulded impact resistant construction, vandal and ligature resistant, suitable for mental healthcare, healthcare and custodial applications.



---

### PRODUCT NUMBER

VR01-111

---

### TECHNICAL DATA

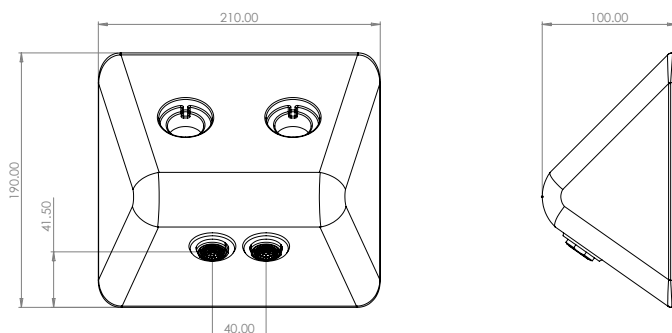
Material	High Performance Composite material
Gross weight	3.0 kg
Operation	Wave-on or tactile control options available (not supplied)
Overall dimensions	210mm (w) x 190mm (h) x 100mm (d)
Type of mounting	M10 Fixing Kit
Outlets	Unrestricted flow straighter
Water channel	Integrated stainless steel water spouts

---

### Optional parts:

BSP thread extensions (available separately)

- |   |          |
|---|----------|
| • Backplate fixing kit for 100mm wall thickness | VR01-009 |
| • Backplate fixing kit for 150mm wall thickness | VR01-007 |
| • Backplate fixing kit for 250mm wall thickness | VR01-008 |



ALL DIMENSIONS IN MM

Last updated:  
2021-02-22, Dart Valley Systems