

2 STATION MAINS KIT

AT00-003

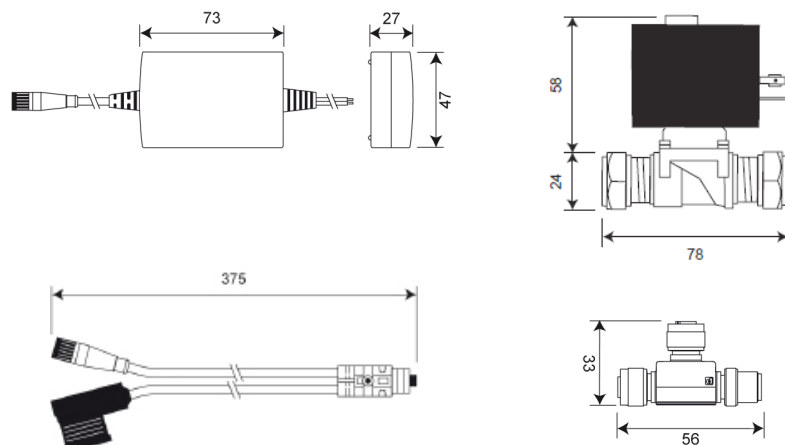
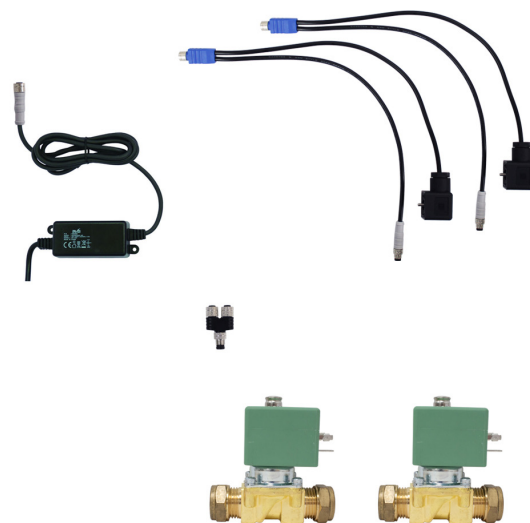
Automatic taps 2 station mains kit for standard pressure systems (1-10 BAR). Kit includes mains PSU, 6V DC Solenoid valves 15mm x 2, Y-splitter leads x 2 and T-connector pieces x 1.

PRODUCT NUMBER

AT00-003

TECHNICAL DATA

| | |
|---------------------------|------------------------------|
| Gross weight | 1.65kg |
| PSU | |
| Material | ABS |
| Surface finish | Matt black |
| Overall dimensions | 73mm (l) 47mm (w) x 27mm (d) |
| Type of mounting | Pre-drilled fixing holes |
| Power input | 100-240V / 50-60Hz 0.3A |
| Power output | 6V / 2A |
| Solenoid valve | |
| Material | ABS / brass |
| O-ring / washers material | Nitrile |
| Fitting | ½" BSP |



Last updated:
2020-01-21, Dart Valley Systems

