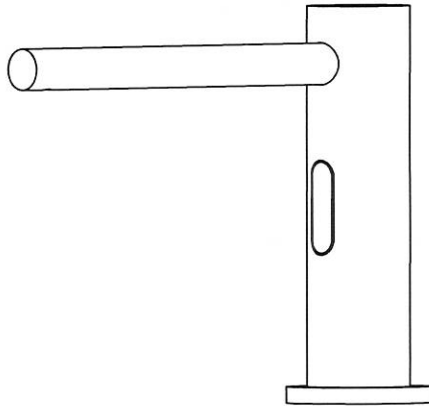


Automatic Soap Dispenser



INSTRUCTIONS



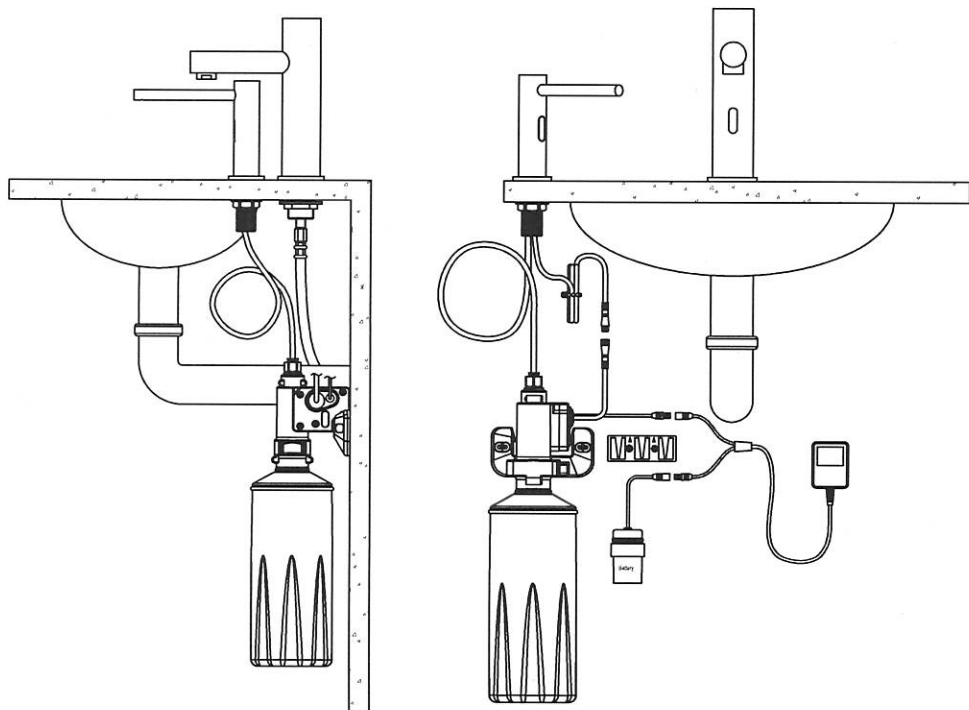
231120

Please read this manual carefully before use.....

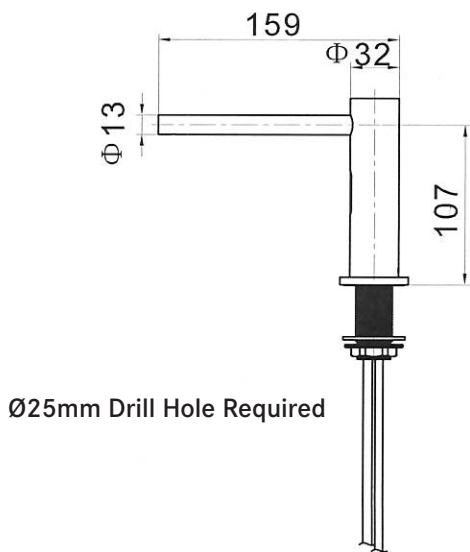
Specifications:

Model No.	SD01-003/008
Material	Brass
Sensing range	Normal temperature
Activation time	0.5-1s
Power supply	AC:220V DC:1.5V 4pcs
Viscosity	100-3500cp (mpA · s)
Soap volume	≤2mL/times(four gear)
Bottle capacity	1.6-2L
Ambient temp.	0-30cm

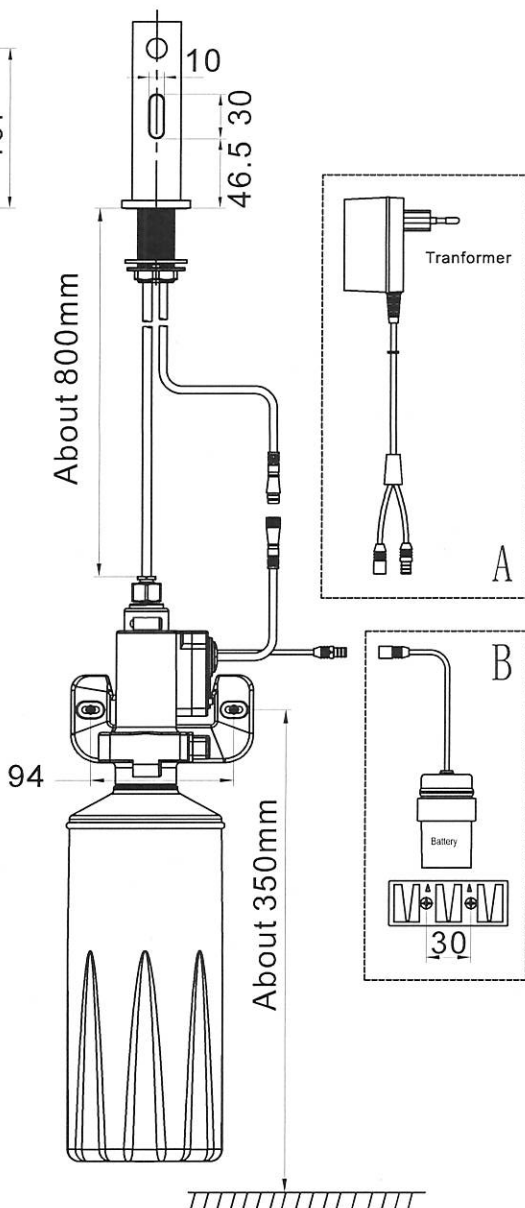
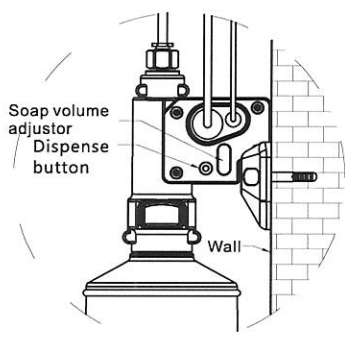
Installation:



Roughing in:



Ø25mm Drill Hole Required

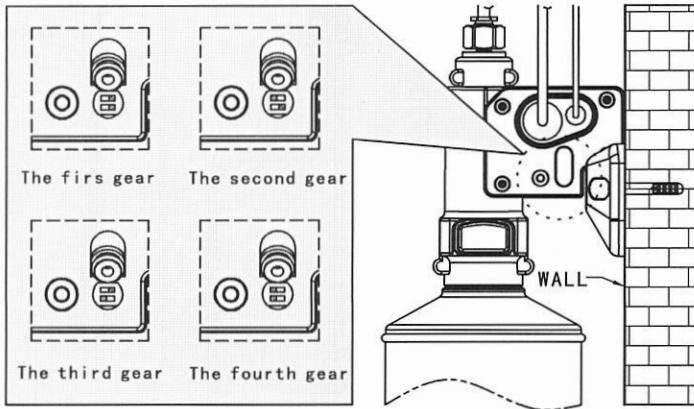


Installation steps:

- 1, Fill liquid soap into bottle capacity.
- 2, Press and hold the dispense button on the control box, release till the soap is dispensed.
- 3, Start the system by passing your hand in the sensor range, soap will dispense automatically.

Note: It has four soap dispense volume adjustment:

- 1, Low volume
- 2, Normal volume
- 3, Medium volume
- 4, High volume



Caution:

- 1, Ensure soap is free of particles, and filling cup is clean.
- 2, Clean soap tank with water periodically.
- 3, Refill soap when soap level is approximately 20mm.
- 4, Replace batteries when red light in sensor window blinks.
- 5, Use soft and moist cloth to clean, avoid spraying water directly at the system.