

HIGH SECURITY WH WC PAN WITH BLUE TOP

VR01-036

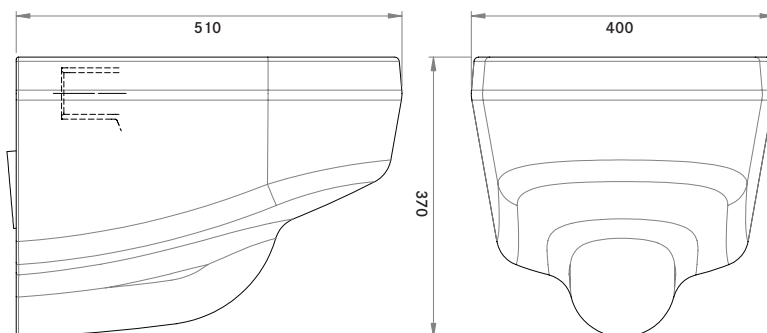
High Security Wall Hung WC Pan; water efficient 4 litre flush, domestic aesthetic, moulded impact resistant construction, vandal and ligature resistant, suitable for mental healthcare, healthcare and custodial applications.

PRODUCT NUMBER

VR01-036

TECHNICAL DATA

Material	High Performance Composite material
Gross weight	14.7 kg
Overall dimensions	510mm (d) x 400mm (w) x 370mm (h)
Type of mounting	Thru-wall 4 x 12mm Stainless Steel allthread studding (incl.)
Flush inlet	Ø55mm
Waste outlet	Ø100mm
Single flush volume	4 L
Additional features	Hygienic non-porous surface
	Concealed rear waste outlet
	Large trap to reduce blockages
	Warm to the touch surface, eliminates 'icy shock'
	Blue gel coat for the visually impaired
	Fixing kit for walls up to 250mm thick provided as standard



ALL DIMENSIONS IN MM

Last updated:
2016-08-10, Dart Valley Systems



DVS
Dart Valley Systems
a FRANKE company