

HIGH SECURITY BTW WC PAN

DISABLED HEIGHT WITH BLUE TOP

VR01-035

High Security WC Pan Disabled Height; water efficient 4 litre flush, domestic aesthetic, moulded impact resistant construction, vandal and ligature resistant, suitable for mental healthcare, healthcare and custodial applications. Available in 2 heights; standard or disabled.

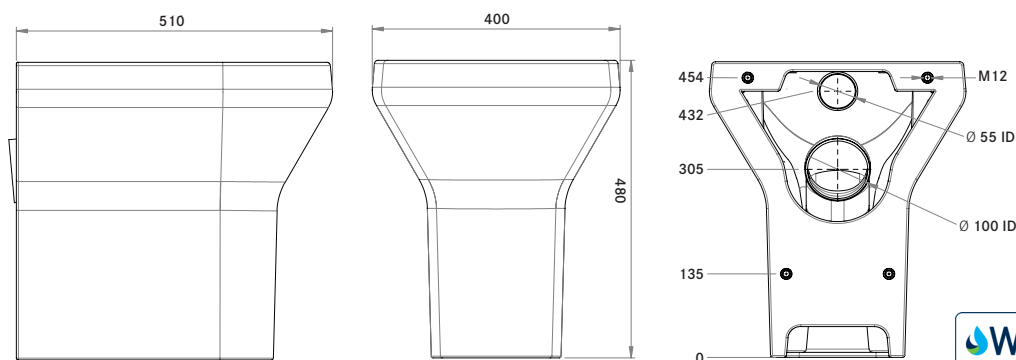


PRODUCT NUMBER

VR01-035

TECHNICAL DATA

Material	High Performance Composite material
Gross weight	18.1 kg
Overall dimensions	510mm (d) x 400mm (w) x 480mm (h)
Type of mounting	Thru wall 4 x 12mm Stainless Steel allthread studding (incl.)
Flush inlet	Ø 55mm
Waste outlet	Ø 100mm
Single flush volume	4 L
Additional features	Hygienic non-porous surface
	Concealed rear waste outlet
	Large trap to reduce blockages
	Warm to the touch surface, eliminates 'icy shock'
	Blue polyester gel coat top for the visually impaired
	Fixing kit for walls up to 250mm thick provided as standard



ALL DIMENSIONS IN MM

Last updated:
2016-08-10, Dart Valley Systems

