

# URINAL CONTROL SYSTEM

## SINGLE STATION KIT WITH SENSOR

### UC07-010

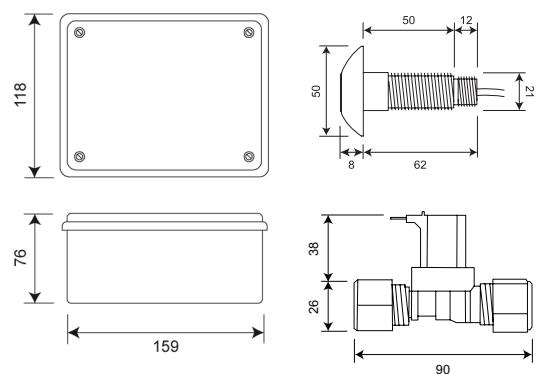
The Urinal Control System single station kit. Standard sensor comes with ø50mm bezel. The sensor activates a flush when the user walks away. The single station kit includes; mains control box, solenoid valve & sensor with ø50mm bezel.

#### PRODUCT NUMBER

UC07-010

#### TECHNICAL DATA

Control box material	ABS
Gross weight	1.25 kg
Type of mounting	Wall mounted (pre-drilled holes)
Power source	Mains
Voltage	230V a.c.
IP rating	54
Current	0.055A
Frequency	50Hz
Operation type	Wave-on sensor
Sensor voltage	5V DC
Solenoid valve voltage	12V DC
Solenoid valve power	3W normally closed
<b>Settings</b>	
Adjustable flush duration	1 - 15 secs
Pre-flush & purge facility	ON/OFF (Pre-flush for 1 second) (Purge initiated every 12 hours of non-use)



ALL DIMENSIONS IN MM

2016-02-17, Dart Valley Systems