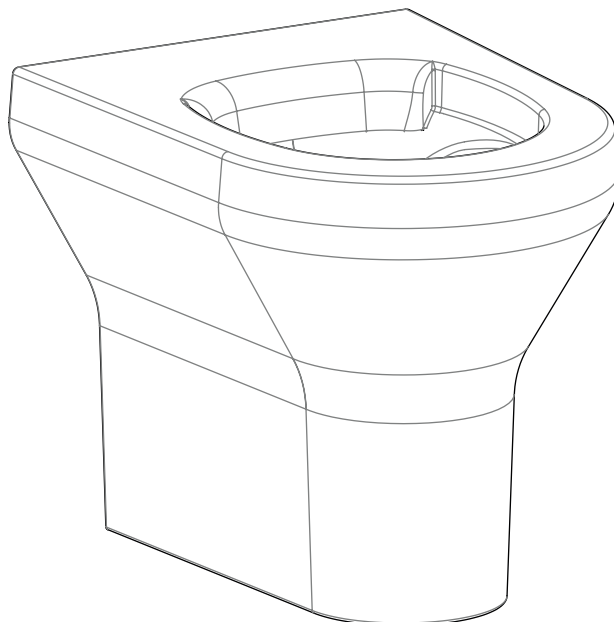
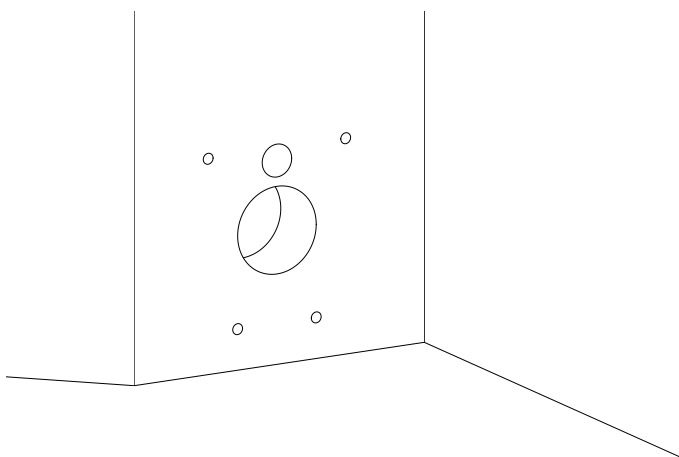


Safe Ensuite High Security Back-to-Wall WC Pan

VR01-010
VR01-011 (Disabled)

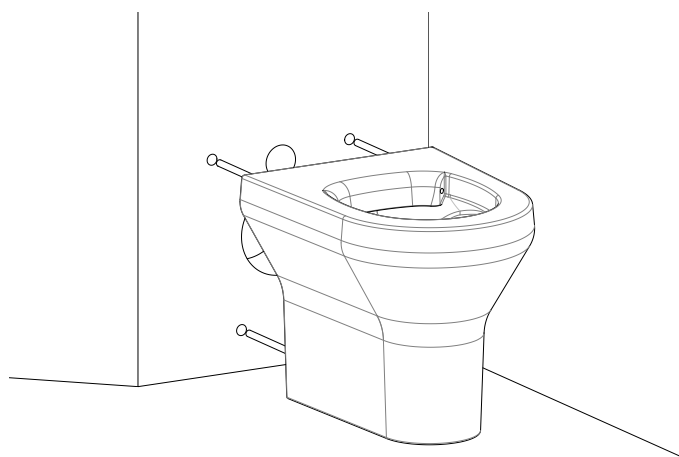


Step 1



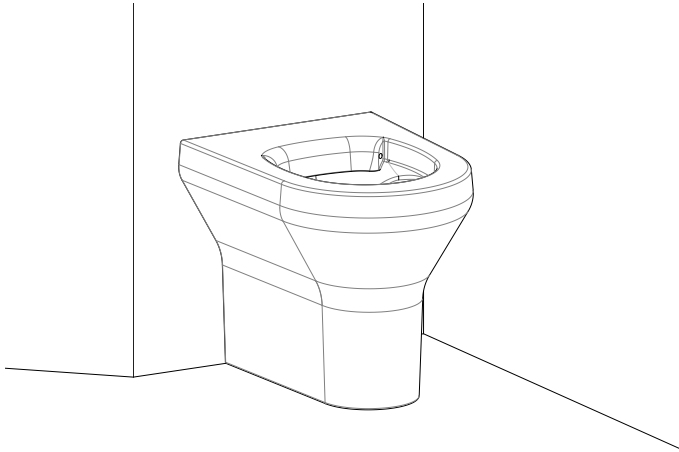
Use the drilling template provided mark and drill holes for the inlet, waste and fixing studding.

Step 2



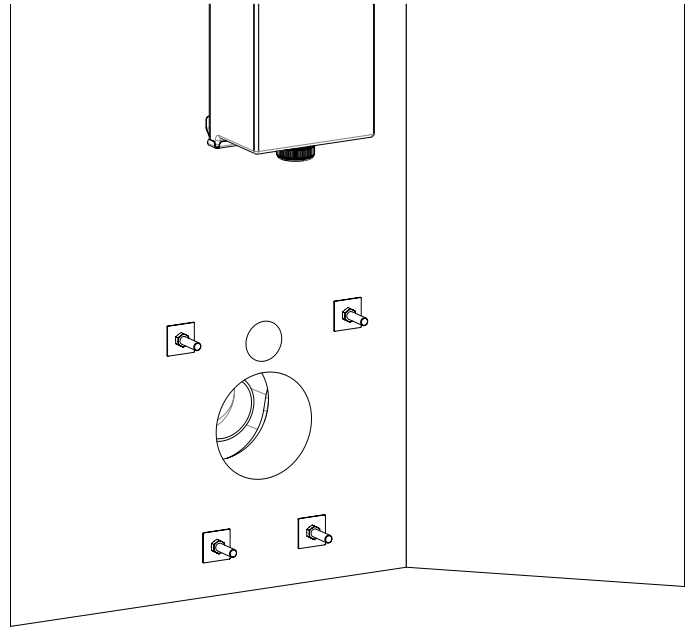
Screw the M12 studding into the back of the pan as far as possible. Make sure a flush pipe cone and outlet connector is fitted in the back of the pan. Align the pan with fixing holes.

Step 3



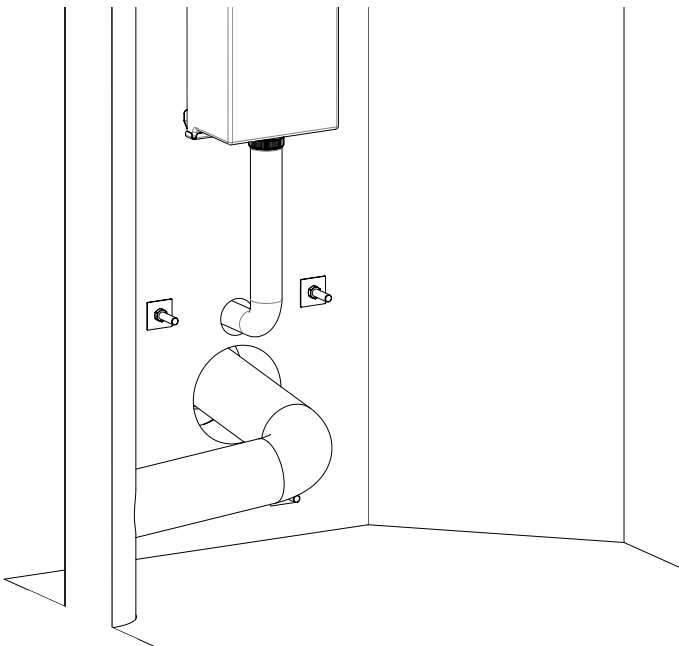
Place the pan against the wall so all the fixing studs protrude through into the service duct.

Step 4



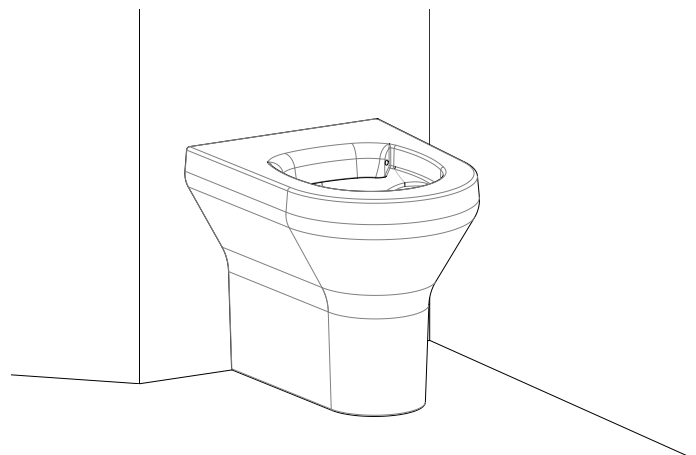
Secure the pan to the wall using the nuts and washers supplied- tighten using a torque wrench to 22-24 Nm.

Step 5



Connections to the WC flush pipe and soil pipes are conventional.

Step 6



Depending on the local site requirements, anti-pick or silicone sealant can be used around the edges for finishing off.