

AQUARIUS A32

Brushed with Copper Tails

AT03-002

The Aquarius range incorporate simple and modern design, with the latest electronic functionality.

Sensor operated for maximum hygiene and efficiency. 5 litres per minute integrated flow control. (Standard 5LPM, Other flow rates available)

Automatic purge function, Sensor range adjustment, Wave on/wave off function, Anti Vandal and Lock Out functions, Chlorination function.

Single mixed feed connection by Copper tail (10mm). External TMV required.
Brushed finish.

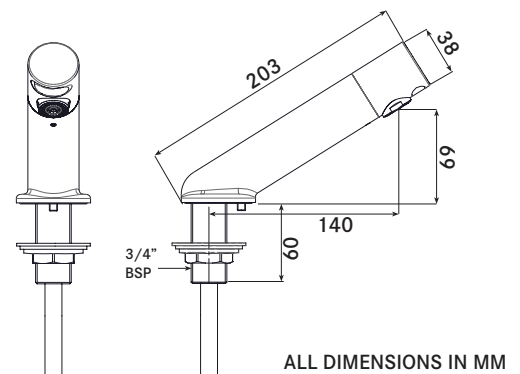
Requires a Station kit to operate. Station kits available in Single Station Battery or Mains Single Station, 2 Station or 3 Station for multiple connections. Refer to Station kit Data sheets.

PRODUCT NUMBER

AT03-002	Brushed	A32 no touch tap
----------	---------	------------------

TECHNICAL DATA

Type of tap	Aquarius A32
Material	316 Stainless Steel
Surface finish	Brushed
Gross weight	1.1 kg
Type of operation	No Touch Sensor
Type of mounting	Deck mounted
Type of mixing	Additional TMV may be required
Automatic purge	Yes* - Default: OFF Options: 3, 6, 12, 24, 36 & 48 hours
Purge run time	Default 1 min* Options: OFF, 30 secs, 1, 2, 4 & 8 mins
Spout projection	140mm
Minimum flow pressure	1.00 bar (Lower pressure station kits available)
Volume flow rate at 3 bar	5LPM (Other flow rates available)
Adjustable run time	Yes* - Default: 2 secs Options: 2, 5, 10, 15, 20, 30 secs
Water connection	10mm Copper tails
Anti-Vandal function	Yes
Lock out function	Default OFF* Options: OFF, 4, 6, 8 & 10 operations
Chlorination function	Yes* - Default 2 mins Options: 1, 2, 3, 4, 5, 10, 20 & 30 mins
Battery or mains station kit	Single Battery: AT00-001 Single Mains: AT00-002 - Other options available. Contact DVS.
Working pressure	1-10 Bar (For Low / High pressure, Contact DVS.)
Max working temperature	60°C
Fixing	¾" BSP
Fixing length	Up to 50mm with flange nut



ALL DIMENSIONS IN MM

Last Updated: 2015-08-11, Dart Valley Systems



* (Set By Handheld Programmer)