

AQUARIUS WM STRAIGHT

Polished with PEX Hose

AT02-005

The Aquarius range incorporate simple and modern design, with the latest electronic functionality.

Sensor operated for maximum hygiene and efficiency. 5 litres per minute integrated flow control. (Standard 5LPM, Other flow rates available)

Automatic purge function, Sensor range adjustment, Wave on/wave off function, Anti Vandal and Lock Out functions, Chlorination function.

Single mixed feed connection by PEX lined hose (15mm connection). External TMV required. Polished finish.

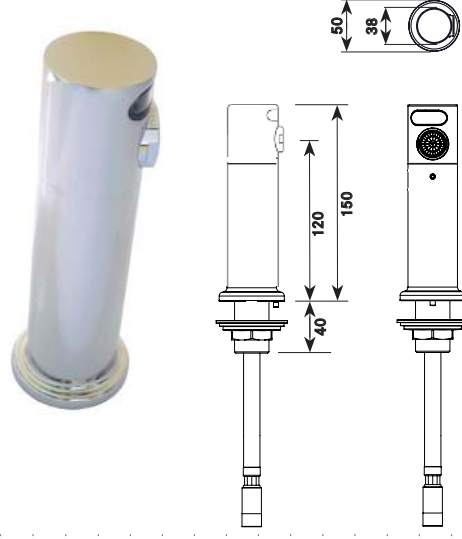
Requires a Station kit to operate. Station kits available in Single Station Battery or Mains Single Station, 2 Station or 3 Station for multiple connections. Refer to Station kit Data sheets.

PRODUCT NUMBER

AT02-005	Polished	WM Straight no touch tap
----------	----------	--------------------------

TECHNICAL DATA

Type of tap	Aquarius WM Straight	
Material	316 Stainless Steel	
Surface finish	Polished	
Gross weight	1.05 kg	
Type of operation	No Touch Sensor	
Type of mounting	Wall mounted	
Type of mixing	Additional TMV may be required	
Automatic purge	Yes* - Default: OFF Options: 3, 6, 12, 24, 36 & 48 hours Default 1 min*	
Purge run time	Options: OFF, 30 secs, 1, 2, 4 & 8 mins 120mm / 150mm	
Spout projection / Total tap length	1.00 bar (Lower pressure station kits available)	
Minimum flow pressure	5LPM (Other flow rates available)	
Volume flow rate at 3 bar	Yes* - Default: 2 secs	
Adjustable run time	Options: 2, 5, 10, 15, 20, 30 secs 15mm PEX hose	
Water connection	Yes	
Anti-Vandal function	Default OFF*	
Lock out function	Options: OFF, 4, 6, 8 & 10 operations Yes* - Default 2 mins	
Chlorination function	Options: 1, 2, 3, 4, 5, 10, 20 & 30 mins	
Battery or mains station kit	Single Battery: AT00-001 Single Mains: AT00-002 - Other options available. Contact DVS.	
Working pressure	1-10 Bar (For Low / High pressure, Contact DVS.)	
Max working temperature	60 °C	
Fixing	¾" BSP	
Fixing length	Up to 30mm with flange nut	



ALL DIMENSIONS IN MM

Last Updated: 2015-09-22, Dart Valley Systems



* (Set By Handheld Programmer)