

# AQUARIUS WM STRAIGHT

## Brushed with PEX Hose

### AT02-001

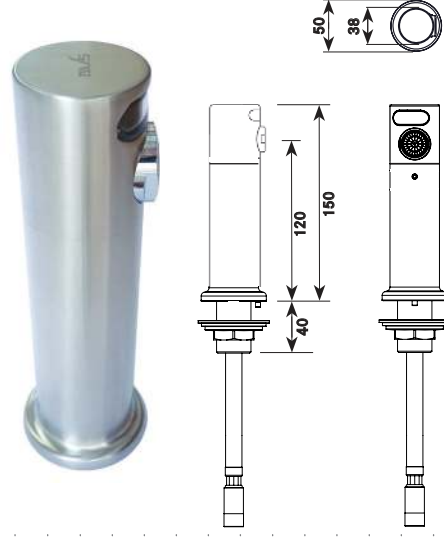
The Aquarius range incorporate simple and modern design, with the latest electronic functionality.

Sensor operated for maximum hygiene and efficiency. 5 litres per minute integrated flow control. (Standard 5LPM, Other flow rates available)  
Automatic purge function, Sensor range adjustment, Wave on/wave off function, Anti Vandal and Lock Out functions, Chlorination function.

Single mixed feed connection by PEX lined hose (15mm connection). External TMV required. Brushed finish.

**Requires a Station kit to operate. Station kits available in Single Station Battery or Mains Single Station, 2 Station or 3 Station for multiple connections. Refer to Station kit Data sheets.**

PRODUCT NUMBER	
AT02-001	Brushed WM Straight no touch tap
TECHNICAL DATA	
Type of tap	Aquarius WM Straight
Material	316 Stainless Steel
Surface finish	Brushed
Gross weight	1.05 kg
Type of operation	No Touch Sensor
Type of mounting	Wall mounted
Type of mixing	Additional TMV may be required
Automatic purge	Yes* - Default: OFF Options: 3, 6, 12, 24, 36 & 48 hours Default 1 min*
Purge run time	Options: OFF, 30 secs, 1, 2, 4 & 8 mins 120mm / 150mm
Spout projection / Total tap length	1.00 bar (Lower pressure station kits available)
Minimum flow pressure	5LPM (Other flow rates available)
Volume flow rate at 3 bar	Yes* - Default: 2 secs
Adjustable run time	Options: 2, 5, 10, 15, 20, 30 secs 15mm PEX hose
Water connection	Yes
Anti-Vandal function	Default OFF*
Lock out function	Options: OFF, 4, 6, 8 & 10 operations Yes* - Default 2 mins
Chlorination function	Options: 1, 2, 3, 4, 5, 10, 20 & 30 mins
Battery or mains station kit	Single Battery: AT00-001 Single Mains: AT00-002 - Other options available. Contact DVS.
Working pressure	1-10 Bar (For Low / High pressure, Contact DVS.)
Max working temperature	60 °C
Fixing	¾" BSP
Fixing length	Up to 30mm with flange nut



ALL DIMENSIONS IN MM

Last Updated: 2015-09-22, Dart Valley Systems



\* (Set By Handheld Programmer)